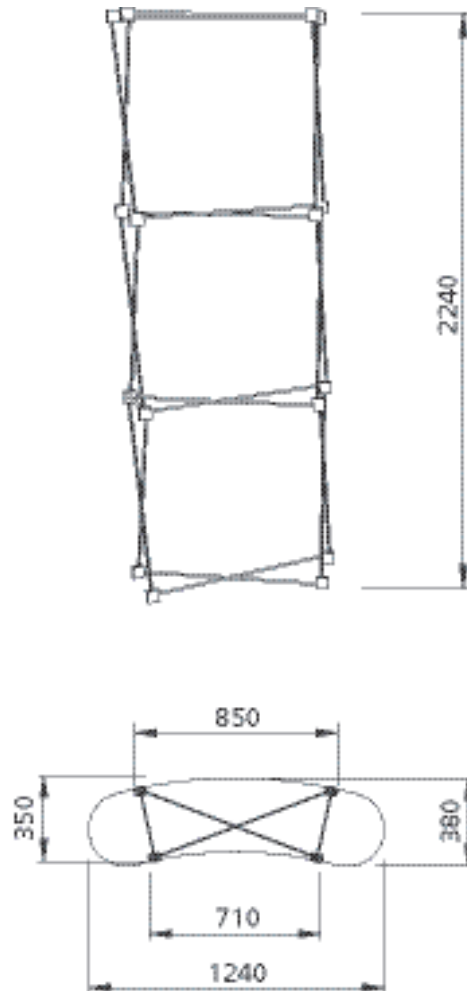


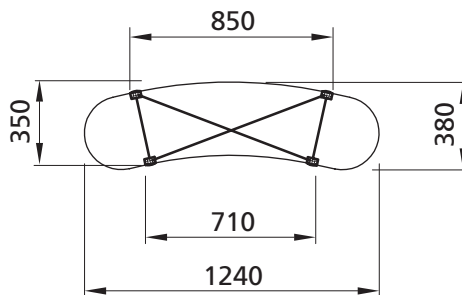
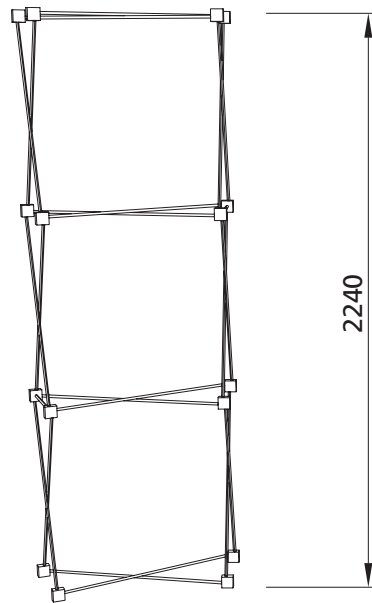
Structure 1x3 straight



Weight: 2,1 kg
 Hight: 2240 mm
 Material: aluminium alloy, eloxed
 Colour: silver

Art nr.	Description
2.10.13221	Structure 1 x 3, 2 magnets in hub, two-sided, straight
2.10.13421	Structure 1 x 3, 4 magnets in hub, two-sided, straight
2.01.13221	Structure II. 1 x 3, 2 magnets in hub, two-sided, straight
2.01.13421	Structure II. 1 x 3, 4 magnets in hub, two-sided, straight

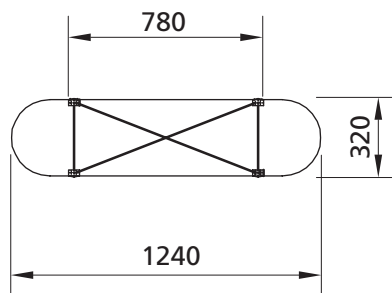
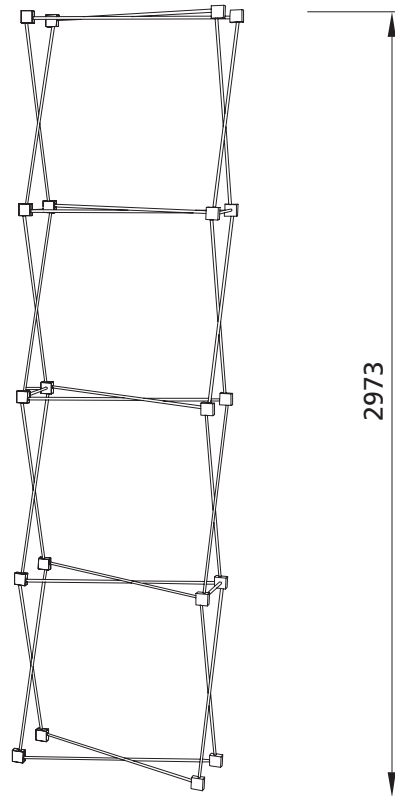
Structure 1x3 curved



Weight: 2,1 kg
 Hight: 2240 mm
 Material: aluminium alloy, eloxed
 Colour: silver

Art nr.	Description
2.10.13222	Structure 1 x 3, 2 magnets in hub, two-sided, curved
2.10.13422	Structure 1 x 3, 4 magnets in hub, two-sided, curved
2.01.13222	Structure II. 1 x 3, 2 magnets in hub, two-sided, curved
2.01.13422	Structure II. 1 x 3, 4 magnets in hub, two-sided, curved

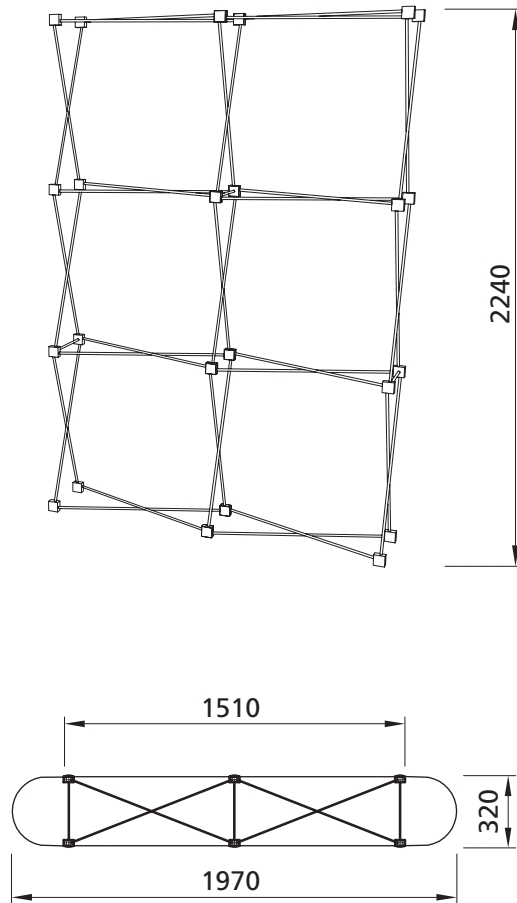
Structure 1x4 straight



Weight: 2,4 kg
Hight: 2973 mm
Material: aluminium alloy, eloxed
Colour: silver

Art nr.	Description
2.10.14221	Structure 1 x 4, 2 magnets in hub, two-sided, straight
2.01.14221	Structure II. 1 x 4, 2 magnets in hub, two-sided, straight

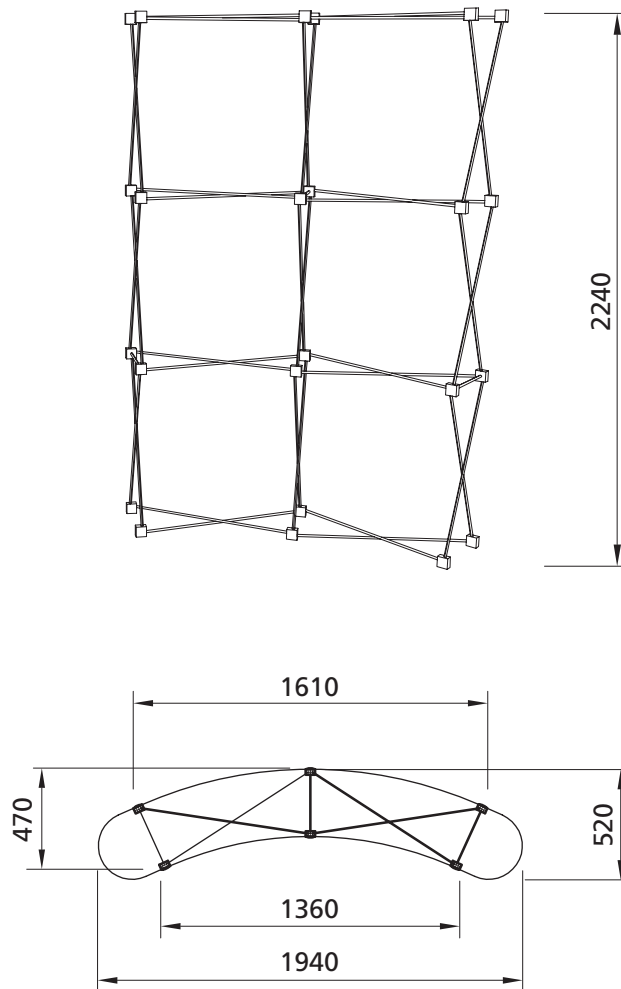
Structure 2x3 straight



Weight: 2,8 kg
Hight: 2240 mm
Material: aluminium alloy, eloxed
Colour: silver

Art nr.	Description
2.10.23211	Structure 2 x 3, 2 magnets in hub, one-sided, straight
2.10.23411	Structure 2 x 3, 4 magnets in hub, one-sided, straight
2.10.23221	Structure 2 x 3, 2 magnets in hub, two-sided, straight
2.10.23421	Structure 2 x 3, 4 magnets in hub, two-sided, straight
2.01.23211	Structure II. 2 x 3, 2 magnets in hub, one-sided, straight
2.01.23411	Structure II. 2 x 3, 4 magnets in hub, one-sided, straight
2.01.23221	Structure II. 2 x 3, 2 magnets in hub, two-sided, straight
2.01.23421	Structure II. 2 x 3, 4 magnets in hub, two-sided, straight

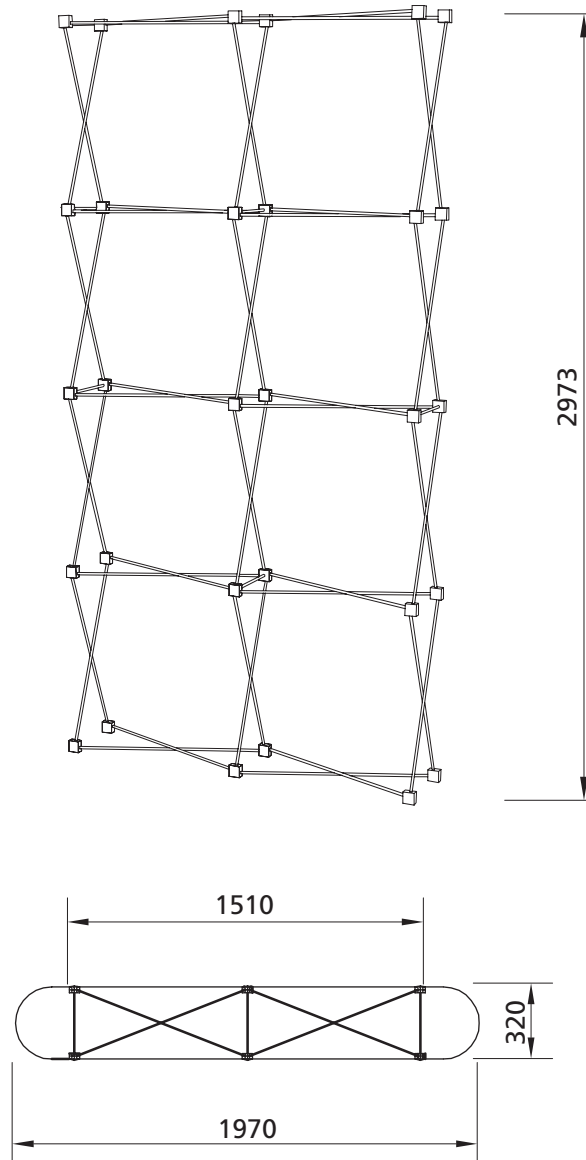
Structure 2x3 curved



Weight: 2,8 kg
 Hight: 2240 mm
 Material: aluminium alloy, eloxed
 Colour: silver

Art nr.	Description
2.10.23212	Structure 2 x 3, 2 magnets in hub, one-sided, curved
2.10.23412	Structure 2 x 3, 4 magnets in hub, one-sided, curved
2.10.23222	Structure 2 x 3, 2 magnets in hub, two-sided, curved
2.10.23422	Structure 2 x 3, 4 magnets in hub, two-sided, curved
2.01.23212	Structure II. 2 x 3, 2 magnets in hub, one-sided, curved
2.01.23412	Structure II. 2 x 3, 4 magnets in hub, one-sided, curved
2.01.23222	Structure II. 2 x 3, 2 magnets in hub, two-sided, curved
2.01.23422	Structure II. 2 x 3, 4 magnets in hub, two-sided, curved

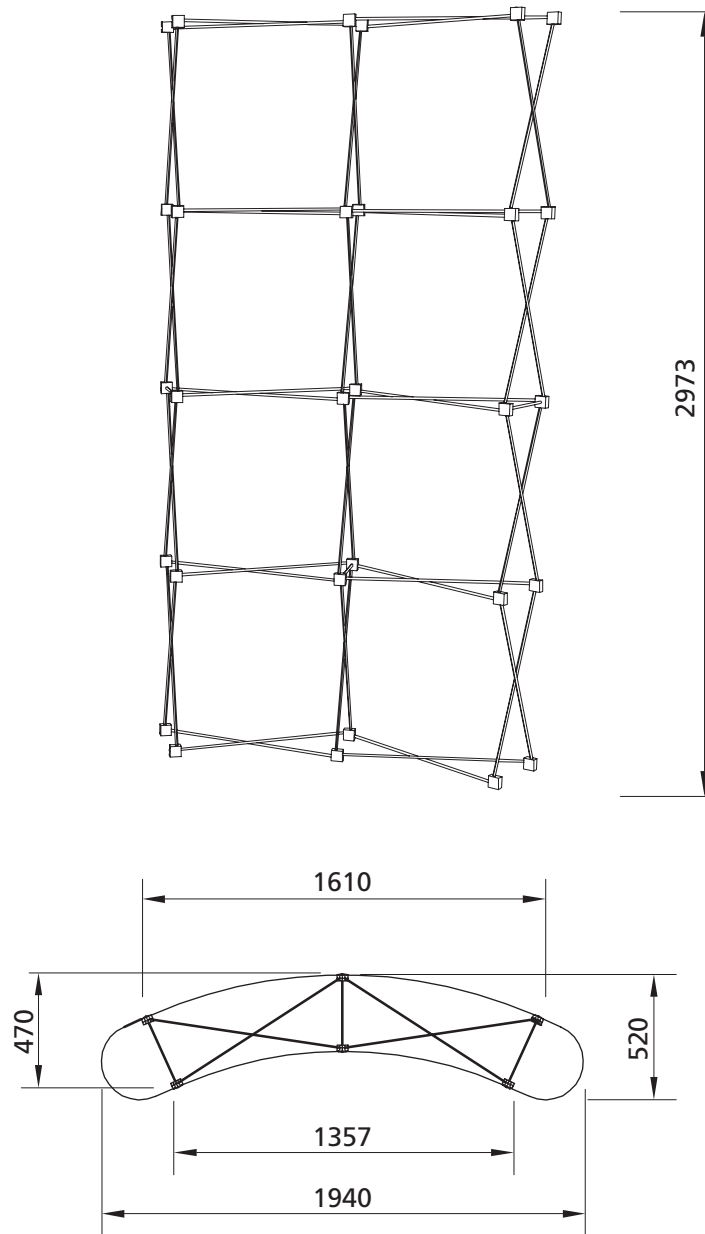
Structure 2x4 straight



Weight: 3,2 kg
 Height: 2973 mm
 Material: aluminium alloy, eloxed
 Colour: silver

Art nr.	Description
2.10.24211	Structure 2 x 4, 2 magnets in hub, one-sided, straight
2.01.24211	Structure II. 2 x 4, 2 magnets in hub, one-sided, straight

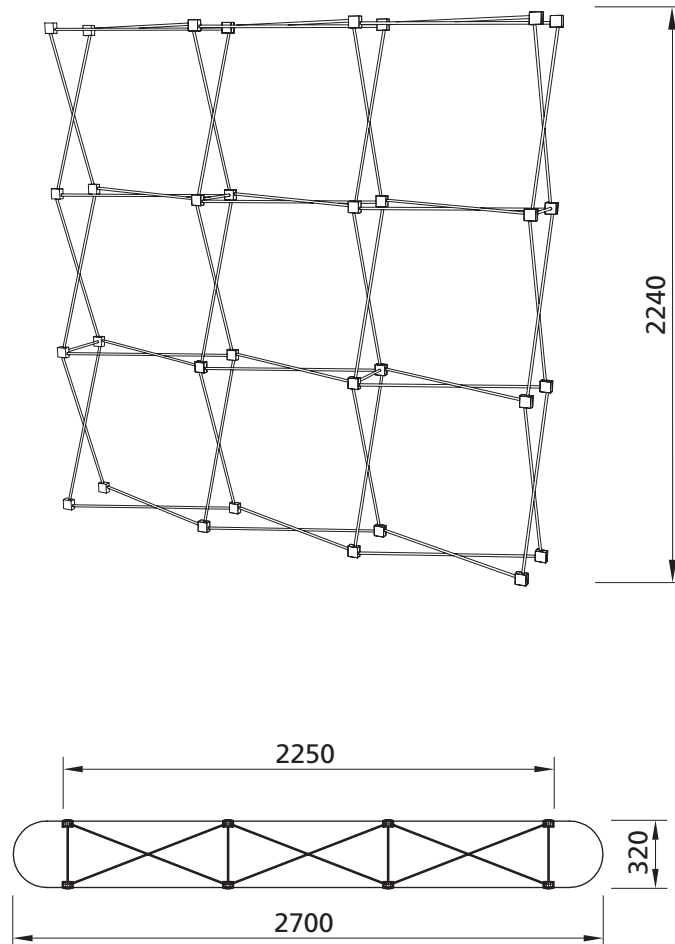
Structure 2x4 curved



Weight: 3,2 kg
 Hight: 2973 mm
 Material: aluminium alloy, eloxed
 Colour: silver

Art nr.	Description
2.10.24212	Structure 2 x 4, 2 magnets in hub, one-sided, curved
2.01.24212	Structure II. 2 x 4, 2 magnets in hub, one-sided, curved

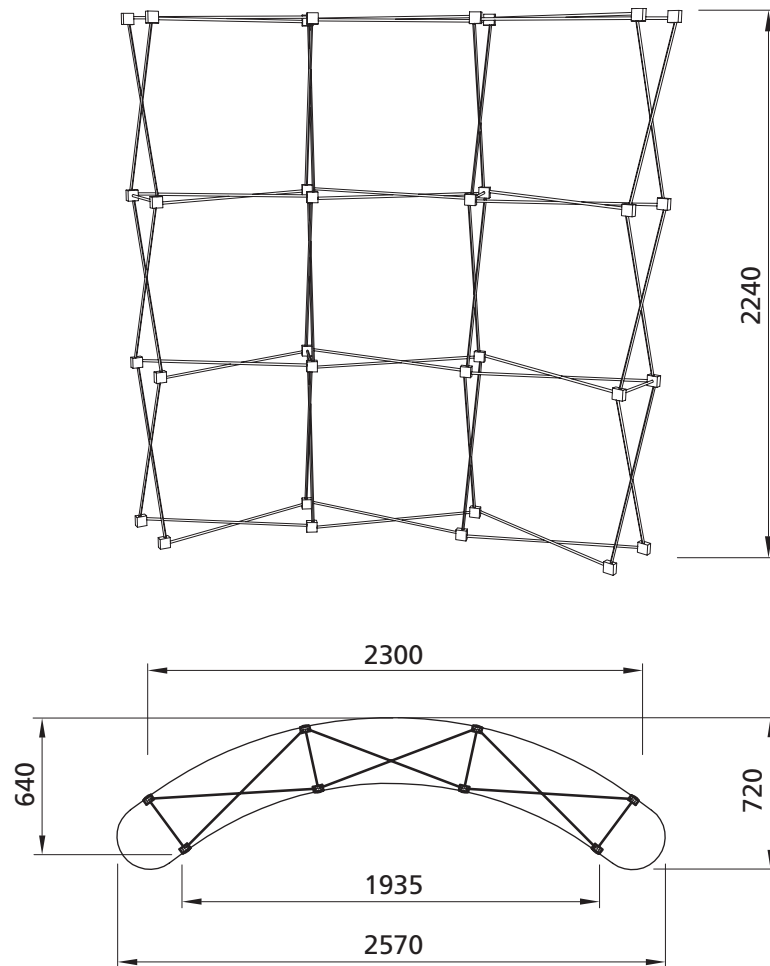
Structure 3x3 straight



Weight: 3,9 kg
 Hight: 2240 mm
 Material: aluminium alloy, eloxed
 Colour: silver

Art nr.	Description
2.10.33211	Structure 3 x 3, 2 magnets in hub, one-sided, straight
2.10.33411	Structure 3 x 3, 4 magnets in hub, one-sided, straight
2.10.33221	Structure 3 x 3, 2 magnets in hub, two-sided, straight
2.10.33421	Structure 3 x 3, 4 magnets in hub, two-sided, straight
2.01.33211	Structure II. 3 x 3, 2 magnets in hub, one-sided, straight
2.01.33411	Structure II. 3 x 3, 4 magnets in hub, one-sided, straight
2.01.33221	Structure II. 3 x 3, 2 magnets in hub, two-sided, straight
2.01.33421	Structure II. 3 x 3, 4 magnets in hub, two-sided, straight

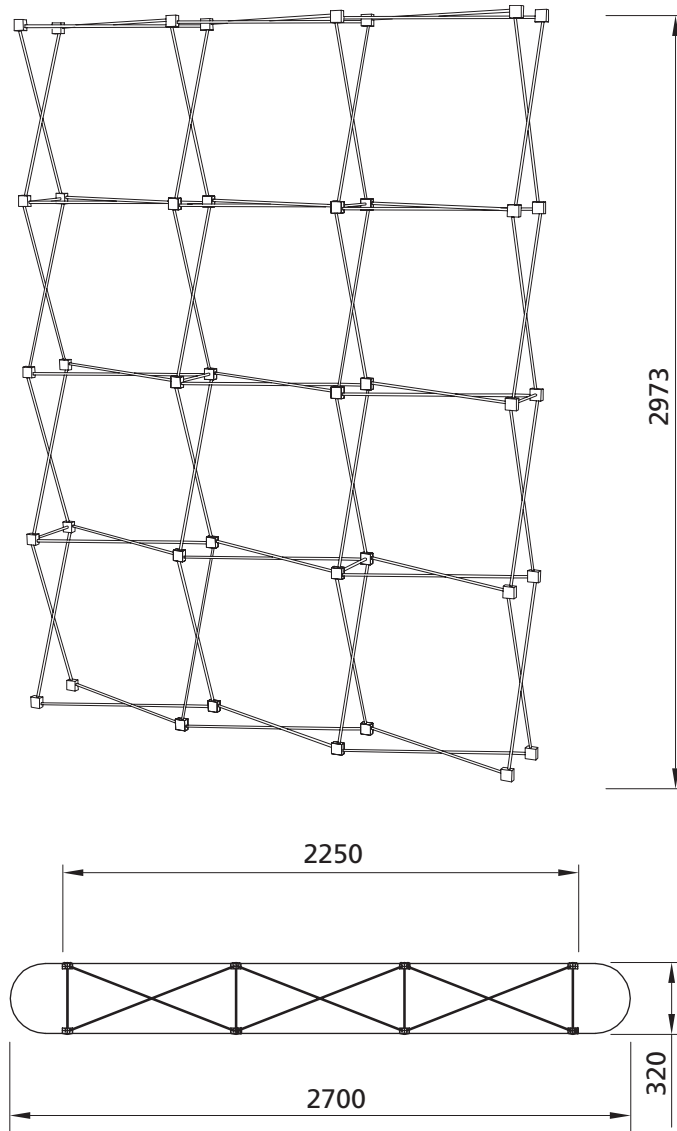
Structure 3x3 curved



Weight: 3,9 kg
 Hight: 2240 mm
 Material: aluminium alloy, eloxed
 Colour: silver

Art nr.	Description
2.10.33212	Structure 3 x 3, 2 magnets in hub, one-sided, curved
2.10.33412	Structure 3 x 3, 4 magnets in hub, one-sided, curved
2.10.33222	Structure 3 x 3, 2 magnets in hub, two-sided, curved
2.10.33422	Structure 3 x 3, 4 magnets in hub, two-sided, curved
2.01.33212	Structure II. 3 x 3, 2 magnets in hub, one-sided, curved
2.01.33412	Structure II. 3 x 3, 4 magnets in hub, one-sided, curved
2.01.33222	Structure II. 3 x 3, 2 magnets in hub, two-sided, curved
2.01.33422	Structure II. 3 x 3, 4 magnets in hub, two-sided, curved

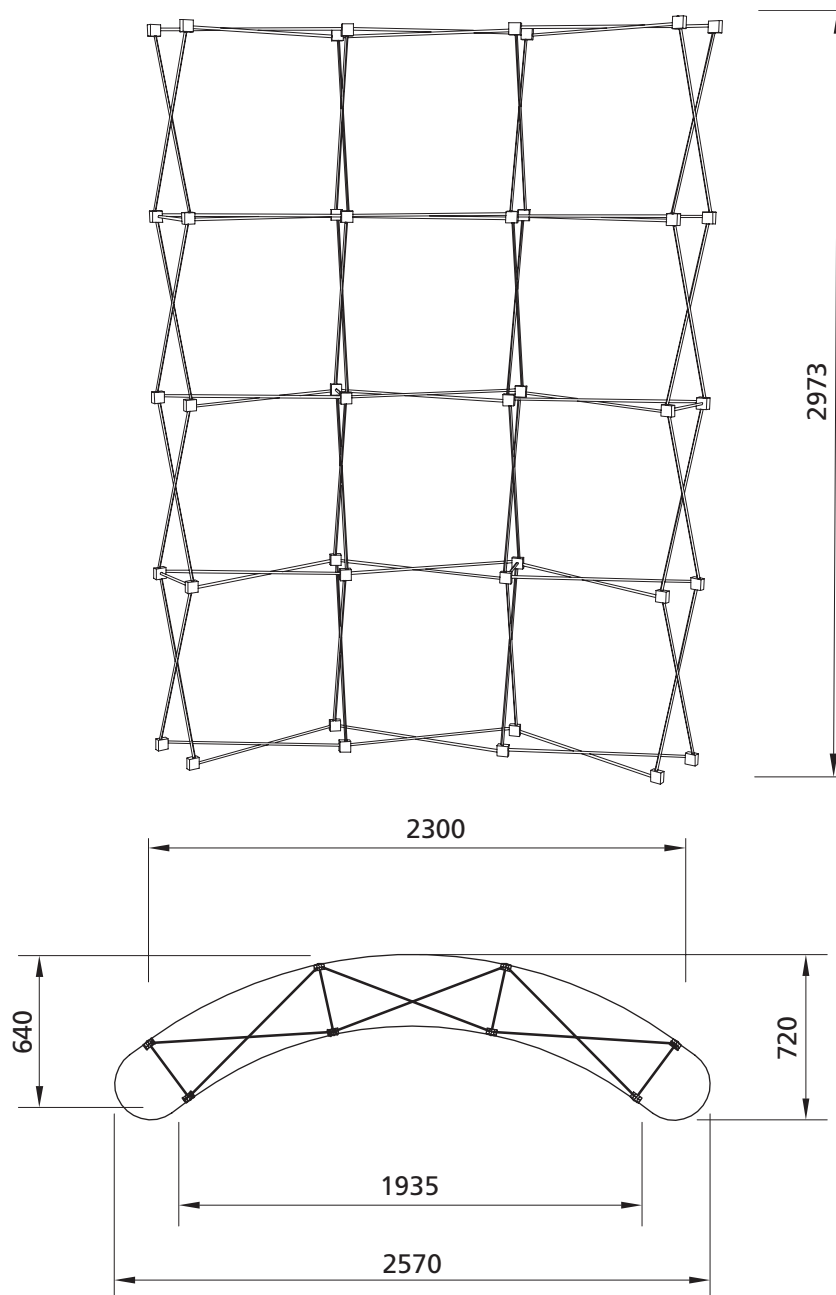
Structure 3x4 straight



Weight: 5,1 kg
 Hight: 2973 mm
 Material: aluminium alloy, eloxed
 Colour: silver

Art nr.	Description
2.10.34211	Structure 3 x 4, 2 magnets in hub, one-sided, straight
2.01.34211	Structure II. 3 x 4, 2 magnets in hub, one-sided, straight

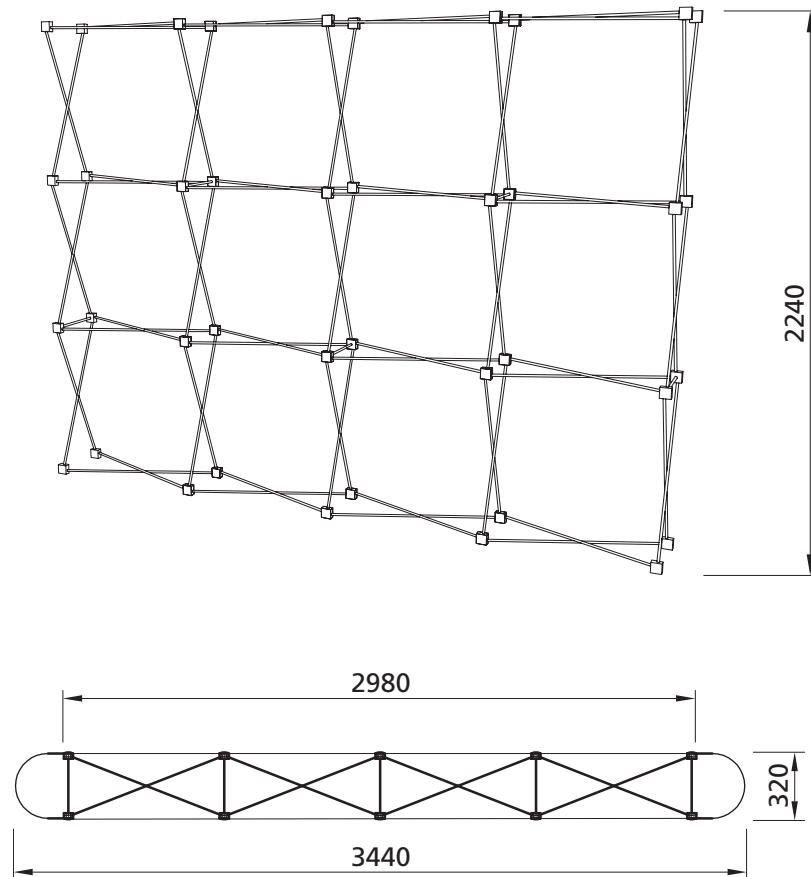
Structure 3x4 curved



Weight: 5,1 kg
 Hight: 2973 mm
 Material: aluminium alloy, eloxed
 Colour: silver

Art nr.	Description
2.10.34212	Structure 3 x 4, 2 magnets in hub, one-sided, curved
2.01.34212	Structure II. 3 x 4, 2 magnets in hub, one-sided, curved

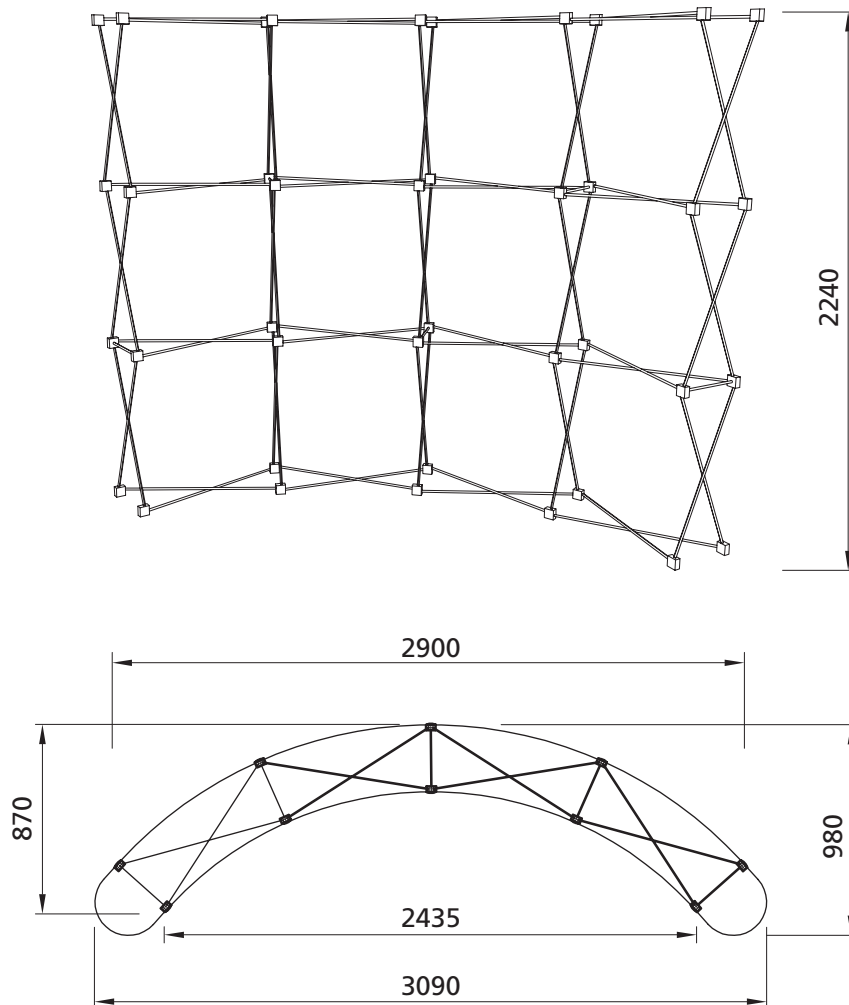
Structure 4x3 straight



Weight: 5,1 kg
 Hight: 2240 mm
 Material: aluminium alloy, eloxed
 Colour: silver

Art nr.	Description
2.10.43211	Structure 4 x 3, 2 magnets in hub, one-sided, straight
2.10.43411	Structure 4 x 3, 4 magnets in hub, one-sided, straight
2.10.43221	Structure 4 x 3, 2 magnets in hub, two-sided, straight
2.10.43421	Structure 4 x 3, 4 magnets in hub, two-sided, straight
2.01.43211	Structure II. 4 x 3, 2 magnets in hub, one-sided, straight
2.01.43411	Structure II. 4 x 3, 4 magnets in hub, one-sided, straight
2.01.43221	Structure II. 4 x 3, 2 magnets in hub, two-sided, straight
2.01.43421	Structure II. 4 x 3, 4 magnets in hub, two-sided, straight

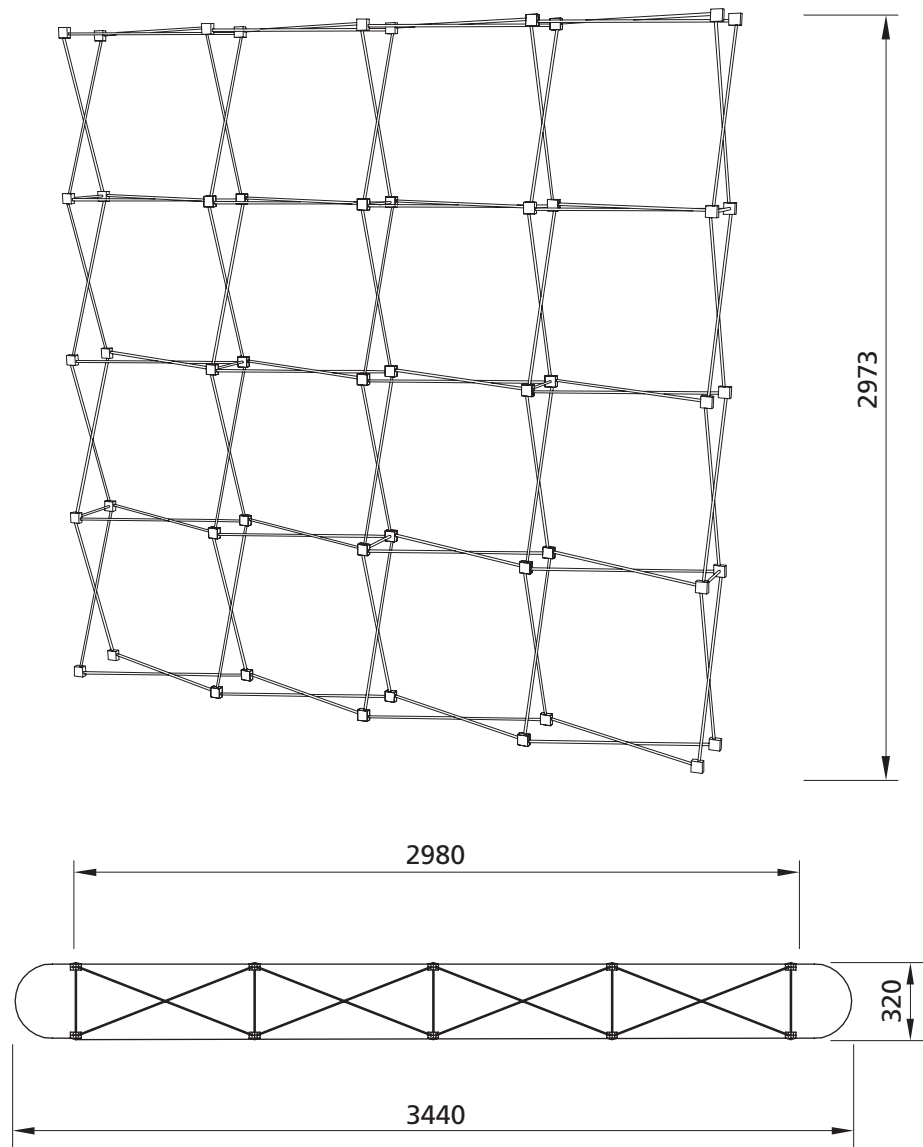
Structure 4x3 curved



Weight: 5,1 kg
Hight: 2240 mm
Material: aluminium alloy, eloxed
Colour: silver

Art nr.	Description
2.10.43212	Structure 4 x 3, 2 magnets in hub, one-sided, curved
2.10.43412	Structure 4 x 3, 4 magnets in hub, one-sided, curved
2.10.43222	Structure 4 x 3, 2 magnets in hub, two-sided, curved
2.10.43422	Structure 4 x 3, 4 magnets in hub, two-sided, curved
2.01.43212	Structure II. 4 x 3, 2 magnets in hub, one-sided, curved
2.01.43412	Structure II. 4 x 3, 4 magnets in hub, one-sided, curved
2.01.43222	Structure II. 4 x 3, 2 magnets in hub, two-sided, curved
2.01.43422	Structure II. 4 x 3, 4 magnets in hub, two-sided, curved

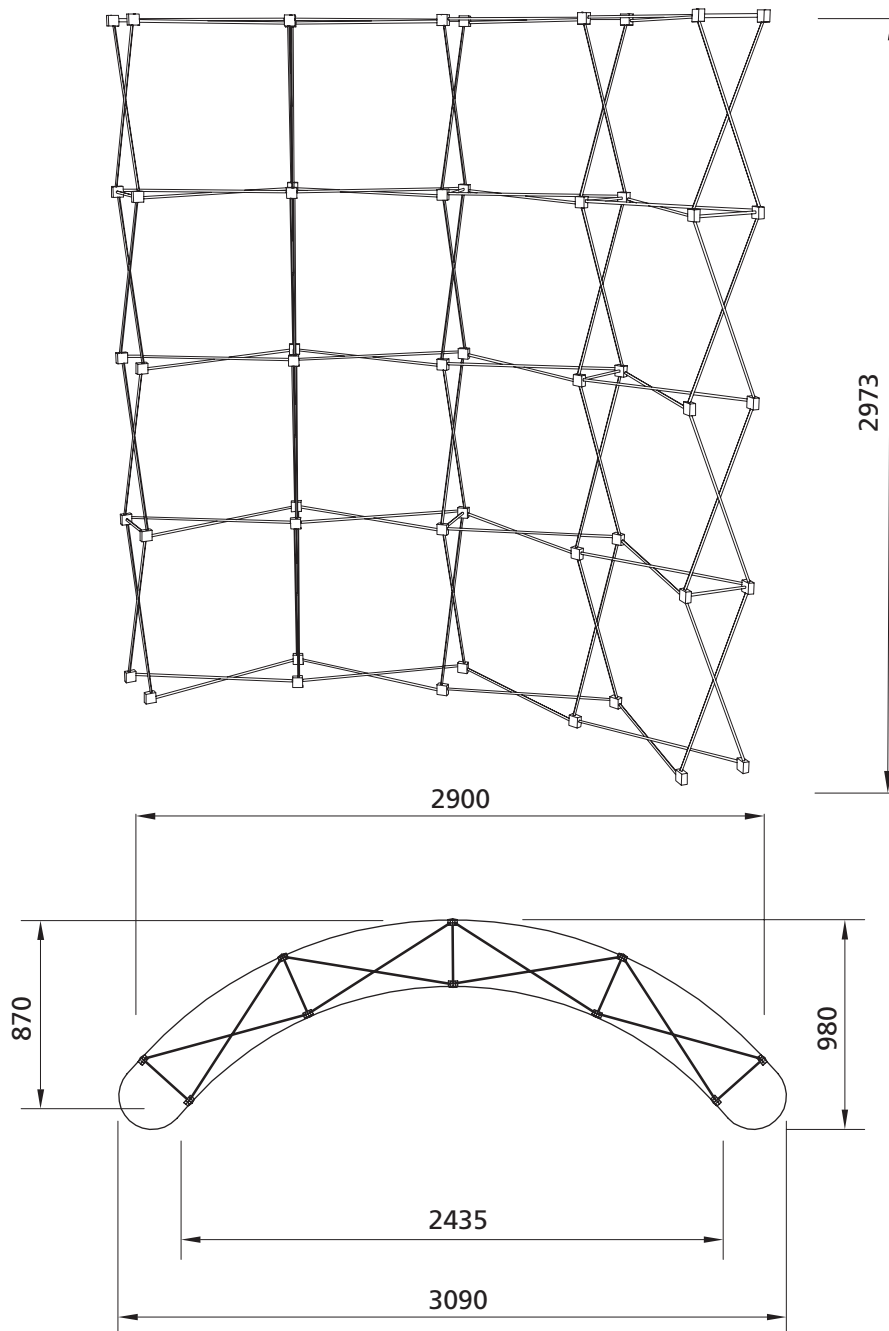
Structure 4x4 straight



Weight: 6,0 kg
 Hight: 2973 mm
 Material: aluminium alloy, eloxed
 Colour: silver

Art nr.	Description
2.10.44211	Structure 4 x 4, 2 magnets in hub, one-sided, straight
2.01.44211	Structure II. 4 x 4, 2 magnets in hub, one-sided, straight

Structure 4x4 curved



Weight: 6,0 kg
 Hight: 2973 mm
 Material: aluminium alloy, eloxed
 Colour: silver

Art nr.	Description
2.10.44212	Structure 4 x 4, 2 magnets in hub, one-sided, curved
2.01.44212	Structure II. 4 x 4, 2 magnets in hub, one-sided, curved

Magnetic bars



Art nr.: 2.11.01001
2.11.01201
Weight: 0,26 kg
Material: aluminium alloy
with magnetic bar



Art nr.: 2.11.01012
Weight: 0,22 kg
Material: aluminium alloy
with magnetic bar



Art nr.: 2.11.01022
Weight: 0,28 kg
Material: aluminium alloy
with magnetic bar



Art nr.: 2.11.01180
Weight: 0,10 kg
Material: steel 0,6 mm
powder coated

Art nr.	Description
2.11.01001	Magnetic bar, straight
2.11.01012	Magnetic bar, curved, front
2.11.01022	Magnetic bar, curved, back
2.11.01180	Magnetic bar, 180°
2.11.01201	Magnetic bar for shelf for literature

Short magnetic bars



Art nr.: 2.11.01205
 2.11.01210
 2.11.01215
 2.11.01220
 2.11.01225
 Material: aluminium alloy
 with magnetic bar



Art nr.: 2.11.01305
 2.11.01310
 2.11.01315
 2.11.01320
 2.11.01325
 Material: aluminium alloy
 with magnetic bar



Art nr.: 2.11.01405
 2.11.01410
 2.11.01415
 2.11.01420
 2.11.01425
 Material: aluminium alloy
 with magnetic bar

Art nr.	Description	Weight / kg
2.11.01205	Short magnetic bar 5 cm	0,03
2.11.01210	Short magnetic bar 10 cm	0,05
2.11.01215	Short magnetic bar 15 cm	0,06
2.11.01220	Short magnetic bar 20 cm	0,08
2.11.01225	Short magnetic bar 25 cm	0,10
2.11.01305	Short magnetic bar 5 cm, curved, front	0,03
2.11.01310	Short magnetic bar 10 cm, curved, front	0,05
2.11.01315	Short magnetic bar 15 cm, curved, front	0,06
2.11.01320	Short magnetic bar 20 cm, curved, front	0,08
2.11.01325	Short magnetic bar 25 cm, curved, front	0,10
2.11.01405	Short magnetic bar 5 cm, curved, back	0,03
2.11.01410	Short magnetic bar 10 cm, curved, back	0,05
2.11.01415	Short magnetic bar 15 cm, curved, back	0,06
2.11.01420	Short magnetic bar 20 cm, curved, back	0,08
2.11.01425	Short magnetic bar 25 cm, curved, back	0,10

Shelf



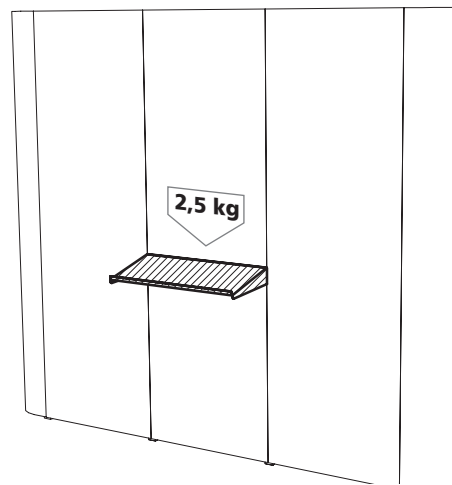
Art nr.: 2.11.03013
Weight: 1,70 kg
Material: steel 0,8 mm
powder coated



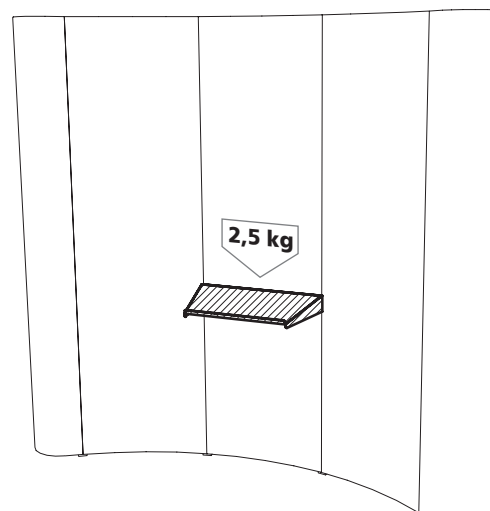
Art nr.: 2.11.03014
Weight: 2,12 kg
Material: steel 0,8 mm
powder coated

Art nr.	Description
2.11.03013	Shelf, straight in the structure, incl. transport bag
2.11.03014	Shelf, curved in the structure, incl. transport bag

Shelf for literature



Art nr.: 2.11.03017
Weight: 1,70 kg
Material: steel 0,8 mm
powder coated



Art nr.: 2.11.03018
Weight: 2,12 kg
Material: steel 0,8 mm
powder coated

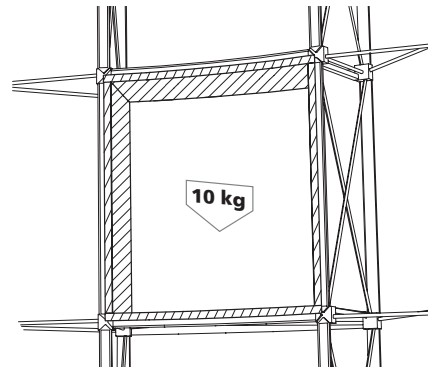
Art nr.	Description
2.11.03017	Shelf for literature, straight incl. 2 magnetic bars and transport bag
2.11.03018	Shelf for literature, curved incl. 2 magnetic bars and transport bag

Showcases



10 kg

Art nr.: 2.11.05101
2.11.05111



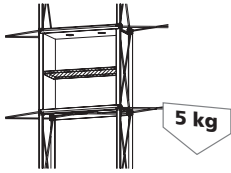
Art nr.: 2.11.05102
2.11.05112

5 kg

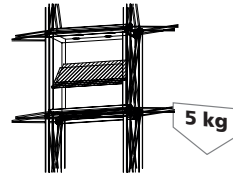
Art nr.: 2.11.05103
2.11.05113

Art nr.	Description	Material	Weight / kg
2.11.05101	Showcase II., straight without lights, incl. transport bag	steel, powder coated	8,1
2.11.05102	Showcase II., curved without lights, incl. transport bag	steel, powder coated	8,6
2.11.05103	Showcase II., end cap without lights, incl. transport bag	steel, powder coated	3,6
2.11.05111	Showcase II., straight with lights, incl. transport bag	steel, powder coated	8,5
2.11.05112	Showcase II., curved with lights, incl. transport bag	steel, powder coated	9,1
2.11.05113	Showcase II., end cap with lights, incl. transport bag	steel, powder coated	4

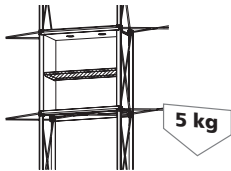
Acrylic shelves



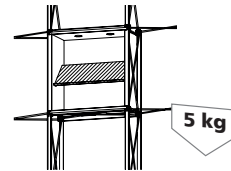
Art nr.:2.11.03023



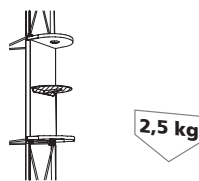
Art nr.: 2.11.03020



Art nr.: 2.11.03024



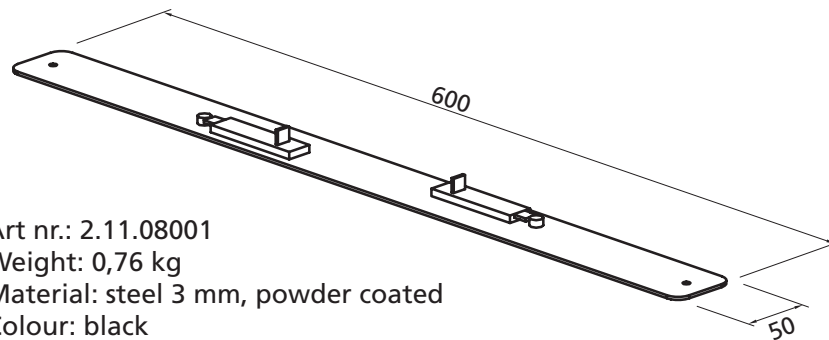
Art nr.: 2.11.03019



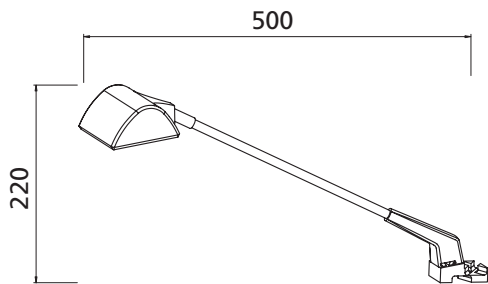
Art nr.: 2.11.03025

Art nr.	Description	Material	Weight / kg
2.11.03023	Shelf for showcase, straight	acrylic	1,55
2.11.03024	Shelf for showcase, curved	acrylic	1,7
2.11.03025	Shelf for end cap showcase	acrylic	0,45
2.11.03019	Angled acrylic shelf to accept literature	acrylic	1,7
2.11.03020	Shelf for showcase III., straight, angled, acrylic	acrylic	1,55

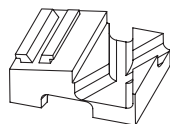
Accessories



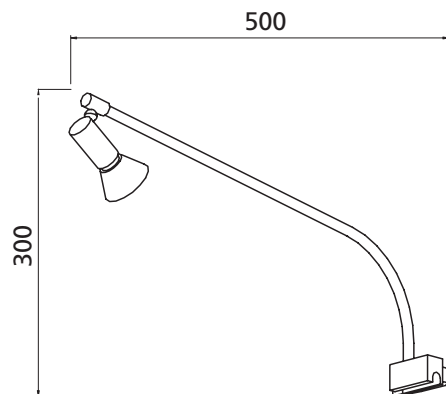
Art nr.: 2.11.08001
 Weight: 0,76 kg
 Material: steel 3 mm, powder coated
 Colour: black



Art nr.: 2.11.06015
 Weight: 0,7 kg



Art nr.: 2.11.06017
 Weight: 0,07 kg
 Material: plastic



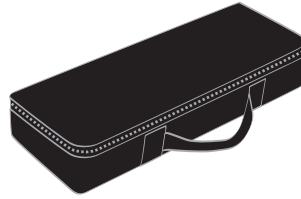
Art nr.: 2.11.06011
 2.11.06012
 2.11.06013
 Weight: 0,54 kg
 Material: aluminium, powder coated

Art nr.	Description
2.11.08001	Stabilizer foot, steel
2.11.06011	Single light, black, 12V/50W
2.11.06012	Single light, black, 12V/50W, UK
2.11.06013	Single light, black, 12V/50W, USA
2.11.06015	Single light, halogen, black, 200W/220V
2.11.06221	Set of lights for 2 x 3 (2 pcs.), black, 12V/50W, incl. transport bag
2.11.06321	Set of lights for 3 x 3 (3 pcs.), black, 12V/50W, incl. transport bag
2.11.06421	Set of lights for 4 x 3 (4 pcs.), black, 12V/50W, incl. transport bag
2.11.07158	Transport bag for single light - halogen, black

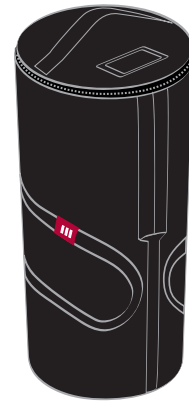
Packaging



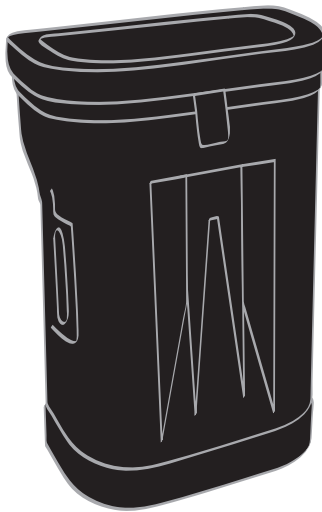
Art nr.: 2.11.07109-01, 2.11.07110-01,
2.11.07111-01, 2.11.07112-01,
2.11.07113-01, 2.11.07121-01
Material: nylon, foam filling,
polyethylen



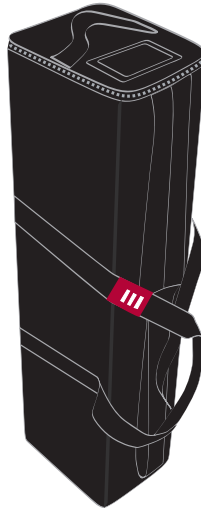
Art nr.: 2.11.07104-01, 2.11.07105-01
Material: nylon, foam filling



Art nr.: 2.11.07102-01
Material: nylon, polyethylen



Art nr.: 2.11.07203
Material: ABS



Art nr.: 2.11.07130-01, 2.11.07140-01
2.11.07150-01
Material: nylon, polypropylen,
foam filling



Art nr.: 2.11.07108-01
2.11.07114-01
Material: nylon

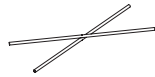


Art nr.: 2.11.07103-01,
2.11.07106-01,
2.11.07107-01
Material: nylon

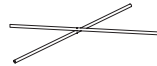
Art nr.	Description	Size / mm	Weight / kg
2.11.07102-01	Flight bag for graphics, black	Ø 420 x 860	2,48
2.11.07103-01	Transport bag for straight mag. bars, max of 21 bars, black	150 x 50 x 770	0,24
2.11.07104-01	Transport bag for 1 to 3 pcs low voltage lights, black	660 x 345 x 110	0,68
2.11.07105-01	Transport bag for 4 pcs low voltage lights, black	660 x 345 x 110	0,72
2.11.07106-01	Transport bag for straight and curved mag. bars, max. of 29 bars, black	150 x 50 x 770	0,34
2.11.07107-01	Transport bag for curved back mag. bars, max. of 8 bars, black	150 x 50 x 810	0,26
2.11.07108-01	Transport bag for 180° mag. bars, max. of 2 bars, black	100 x 700	0,04
2.11.07109-01	Transport bag for showcase straight, black	370 x 770 x 150	1,56
2.11.07110-01	Transport bag for showcase curved, black	410 x 830 x 90	1,94
2.11.07111-01	Transport bag for showcase end cap, black	370 x 740 x 70	1,28
2.11.07112-01	Transport bag for shelf straight, black	370 x 770 x 100	1,28
2.11.07113-01	Transport bag for shelf curved, black	410 x 830 x 100	1,28
2.11.07121-01	Transport bag for shelf for literature, black	750 x 350 x 100	0,58
2.11.07114-01	Transport bag for stabilizer feet, max. of 3 pcs, black	100 x 650	0,06
2.11.07130-01	Flight bag for structure, size 1 ¹⁾ , black	260 x 210 x 840	1,60
2.11.07140-01	Flight bag for structure, size 2 ²⁾ , black	310 x 210 x 840	1,65
2.11.07150-01	Flight bag for structure, size 3 ¹⁾ , black	380 x 210 x 840	1,65
2.11.07203	EUROcase II, black	680 x 440 x 970	13

¹⁾ For structure 1 x 3, 2 x 3, 3 x 3; ²⁾ for structure 4 x 3; ³⁾ for bigger structures

Spare parts



Art nr.: 2.11.09001
Weight: 0,14 kg
Material: aluminium alloy



Art nr.: 2.11.09002
Weight: 0,14 kg
Material: aluminium alloy



Art nr.: 2.11.09004
Weight: 0,02 kg



Art nr.: 2.11.09005
Weight: 0,06 kg



Art nr.: 2.11.09007
Weight: 0,01 kg



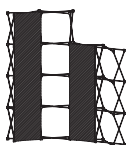
Art nr.: 2.11.09003
Weight: 0,06 kg



Art nr.: 2.11.09006
Weight: 0,03 kg

Art nr.	Description
2.11.09001	Aluminium scissors, straight
2.11.09002	Aluminium scissors, curved
2.11.09003	Magnetic lockers for the structure (pair)
2.11.09004	Hub
2.11.09005	Panel pegs (set of 10 pcs.)
2.11.09006	Round magnet 10 x 4 (set of 10 pcs.) Origin: China
2.11.09007	M4 insert to the hub (set of 10 pcs.)
2.11.09012	Screw 3,5 x 16 mm (set of 10 pcs.) to the hub

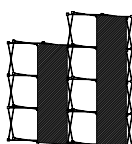
Graphic panels



Art nr.: 2.03.00212-01/ 2.04.01203-01
 Weight: 1,20 / 1,60 kg
 Dimensions: 2240 / 2973 x 673 mm
 Material: PE



Art nr.: 2.03.00213-01 / 2.04.01204-01
 Weight: 1,40 / 1,87 kg
 Dimensions: 2240 / 2973 x 808 mm
 Material: PE

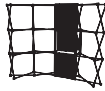


Art nr.: 2.03.00211-01/ 2.04.01202-01
 Weight: 1,34 / 1,79 kg
 Dimensions: 2240 / 2973 x 733 mm
 Material: PE

Art nr.: 2.03.00214-01 / 2.04.01205-01
 Weight: 1,20 / 1,60 kg
 Dimensions: 2240 / 2973 x 673 mm
 Material: PE

Art nr.	Description
2.03.00211-01	Fully equipped long panel for straight system II., incl. print
2.03.00212-01	Fully equipped long panel for curved system II., front, incl. print
2.03.00213-01	Fully equipped long panel for curved system II., back, incl. print
2.03.00214-01	Fully equipped long panel for system II., end cap, incl. print
2.04.01202-01	Fully equipped long panel for straight system II., 4 fields, incl. print
2.04.01203-01	Fully equipped long panel for curved system II., front, 4 fields, incl. print
2.04.01204-01	Fully equipped long panel for curved system II., back, 4 fields, incl. print
2.04.01205-01	Fully equipped long panel for system II., end cap, 4 fields, incl. print

Set of panels for structure with front showcase



Art nr.: 2.03.00217-01
Weight: 1,20 kg
Dimensions:
top 673 x 761 mm
back 808 x 733 mm
bottom 673 x 746 mm
Material: PE



Art nr.: 2.03.00218-01
Weight: 1,20kg
Dimensions:
top 673 x 28 mm
back 808 x 733 mm
bottom 673 x 1479 mm
Material: PE



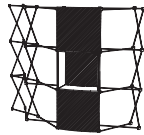
Art nr.: 2.03.00215-01
Weight: 1,34 kg
Dimensions:
top 733 x 761 mm
back 733 x 733 mm
bottom 733 x 746 mm
Material: PE



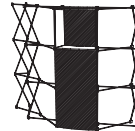
Art nr.: 2.03.00216-01
Weight: 1,34 kg
Dimensions:
top 733 x 28 mm
back 733 x 733 mm
bottom 733 x 1479 mm
Material: PE

Art nr.	Description
2.03.00217-01	Set of fully equipped panels, front for curved system II. with central showcase, incl.print
2.03.00218-01	Set of fully equipped long panels, front for curved system II. with top showcase, incl. print
2.03.00215-01	Set of fully equipped long panels, front for straight system II. with central showcase, incl. print
2.03.00216-01	Set of fully equipped long panels, front for straight system II. with top showcase, incl. print

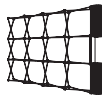
Set of panels for structure with back and end cap showcase



Art nr.: 2.03.00221-01
 Weight: 1,40 kg
 Dimensions:
 top 808 x 761 mm
 back 673 x 733 mm
 bottom 808 x 746 mm
 Material: PE



Art nr.: 2.03.00222-01
 Weight: 1,40 kg
 Dimensions:
 top 808 x 28 mm
 back 673 x 733 mm
 bottom 808 x 1479 mm
 Material: PE



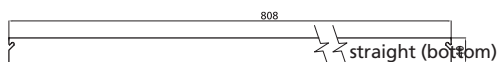
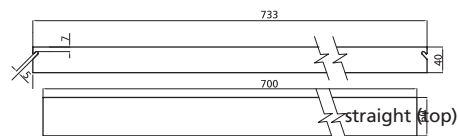
Art nr.: 2.03.00219-01
 Weight: 0,84 kg
 Dimensions:
 top 673 x 761 mm
 bottom 673 x 746 mm
 Material: PE



Art nr.: 2.03.00220-01
 Weight: 0,84 kg
 Dimensions:
 top 673 x 28 mm
 bottom 673 x 1479 mm
 Material: PE

Art nr.	Description
2.03.00221-01	Set of fully equipped long panels, back for curved system II. with central showcase, incl. print
2.03.00222-01	Set of fully equipped long panels, back for curved system II. with top showcase, incl. print
2.03.00219-01	Set of fully equipped long panels, for system II. with central showcase, end cap, incl. print
2.03.00220-01	Set of fully equipped long panels, for system II. with top showcase, end cap, incl. print

Equipment for graphic panels

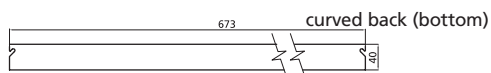
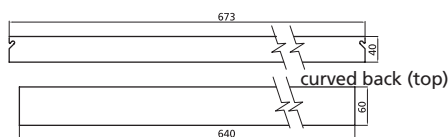


Art nr.: 2.12.00121
Material: PRIPLAK 1,8 mm
Colour: black

curved front (top)

curved front (bottom)

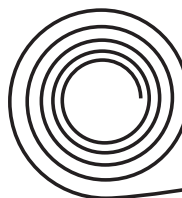
Art nr.: 2.12.00122
Material: PRIPLAK 1,8 mm
Colour: black



Art nr.: 2.12.00123
Material: PRIPLAK 1,8 mm
Colour: black

end cap

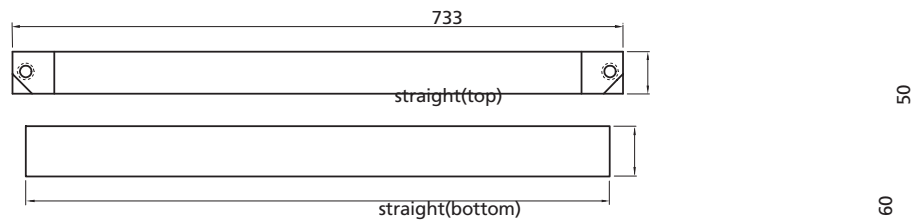
Art nr.: 2.12.00124
Material: PRIPLAK 1,2 mm
Colour: black



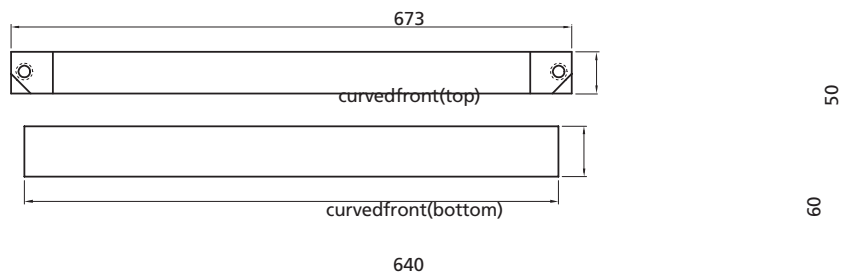
Art nr.: 2.12.00230
Material: adhesive magnetic tape
Colour: black

Art nr.	Description
2.12.00121	Set of hangers for graphics (above/below) for one panel straight
2.12.00122	Set of hangers for graphics (above/below) for one panel curved front
2.12.00123	Set of hangers for graphics (above/below) for one panel curved back
2.12.00124	Hanger for graphics for one panel end cap
2.12.00230	Magnetic tape for panels, 30 m coil, magnetised A, Origin: EU

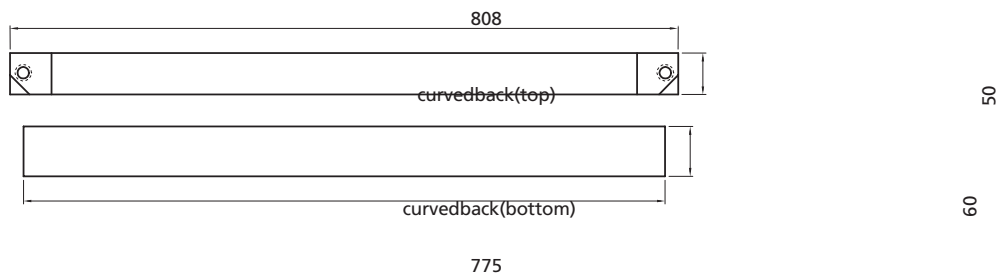
Equipment for graphic panels - magnetic



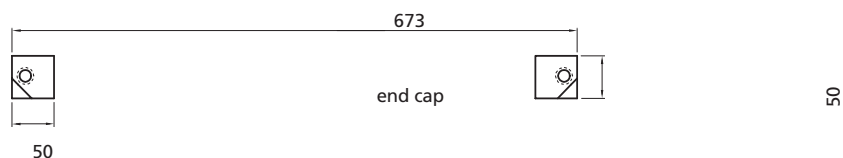
Art nr.: 2.02.00121
Material: PRIPLAK
Colour: black



Art nr.: 2.02.00122
Material: PRIPLAK
Colour: black



Art nr.: 2.02.00123
Material: PRIPLAK
Colour: black



Art nr.: 2.02.00124
Material: PRIPLAK
Colour: black

Art nr.	Description
2.02.00121	Set of magnetic hangers for graphics (above/below) for one panel straight
2.02.00122	Set of magnetic hangers for graphics (above/below) for one panel curved front
2.02.00123	Set of magnetic hangers for graphics (above/below) for one panel curved back
2.02.00124	Magnetic hanger for graphics for one panel end cap